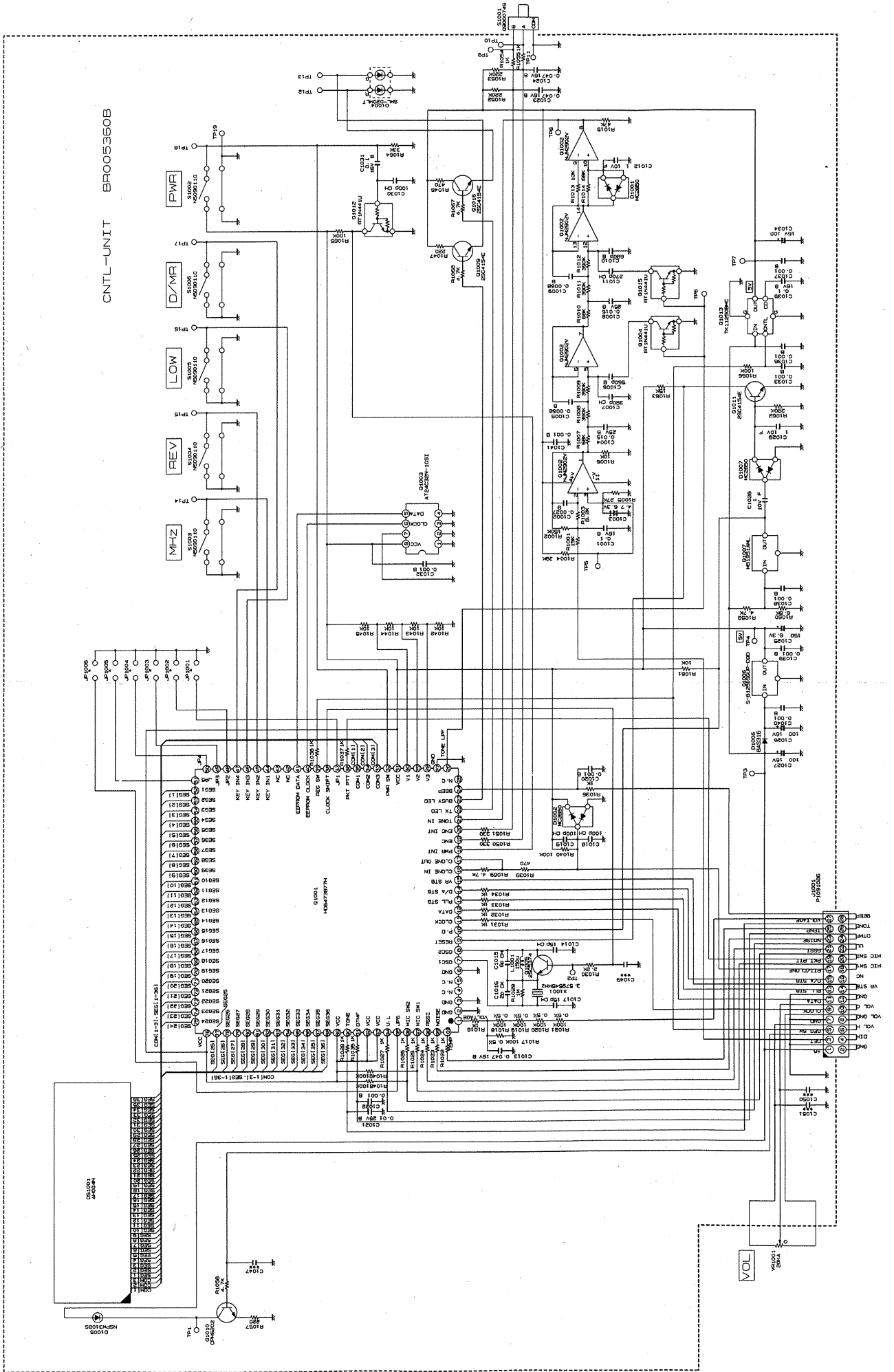
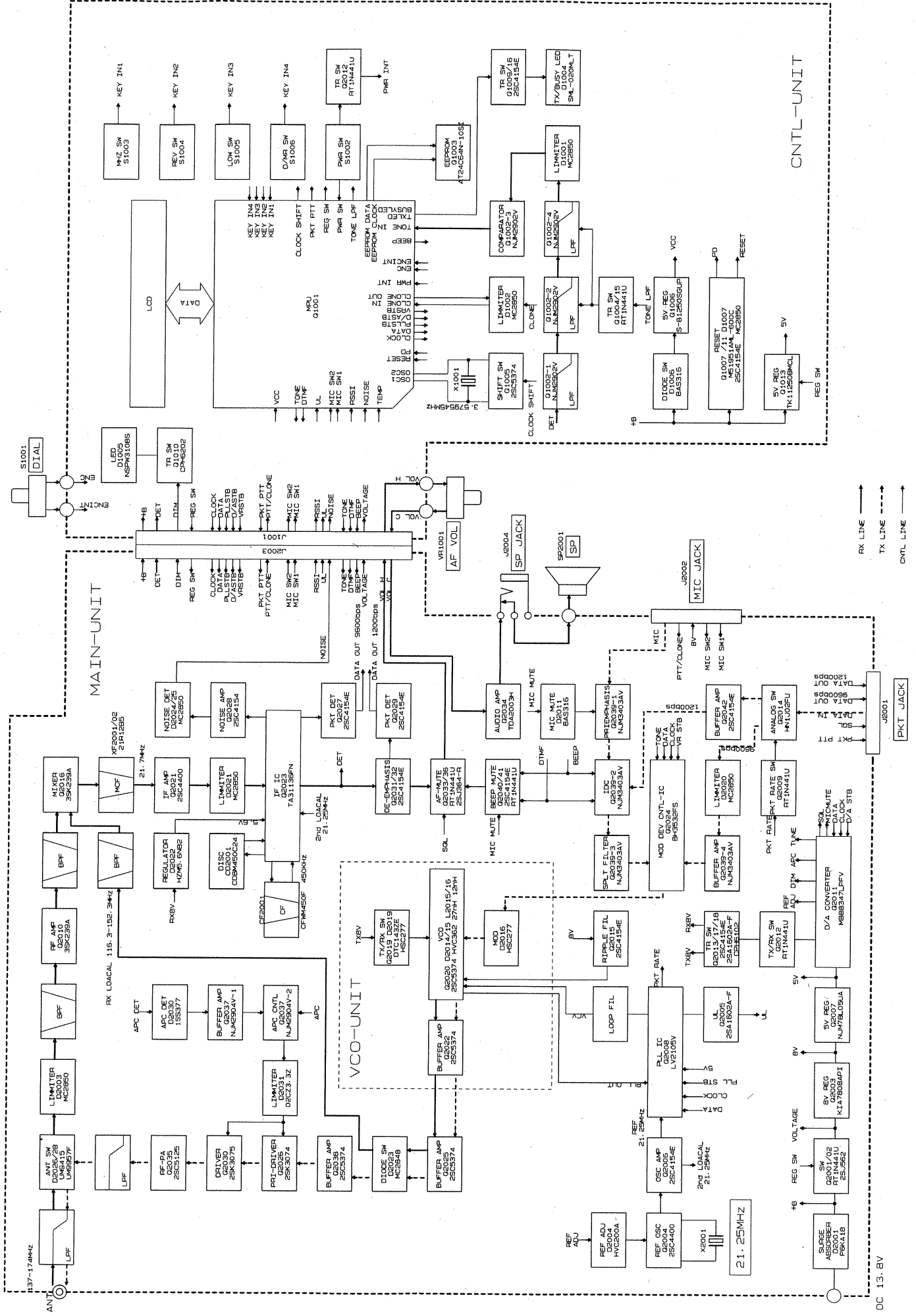


# FT-1500M Circuit Diagram





137-174MHZ

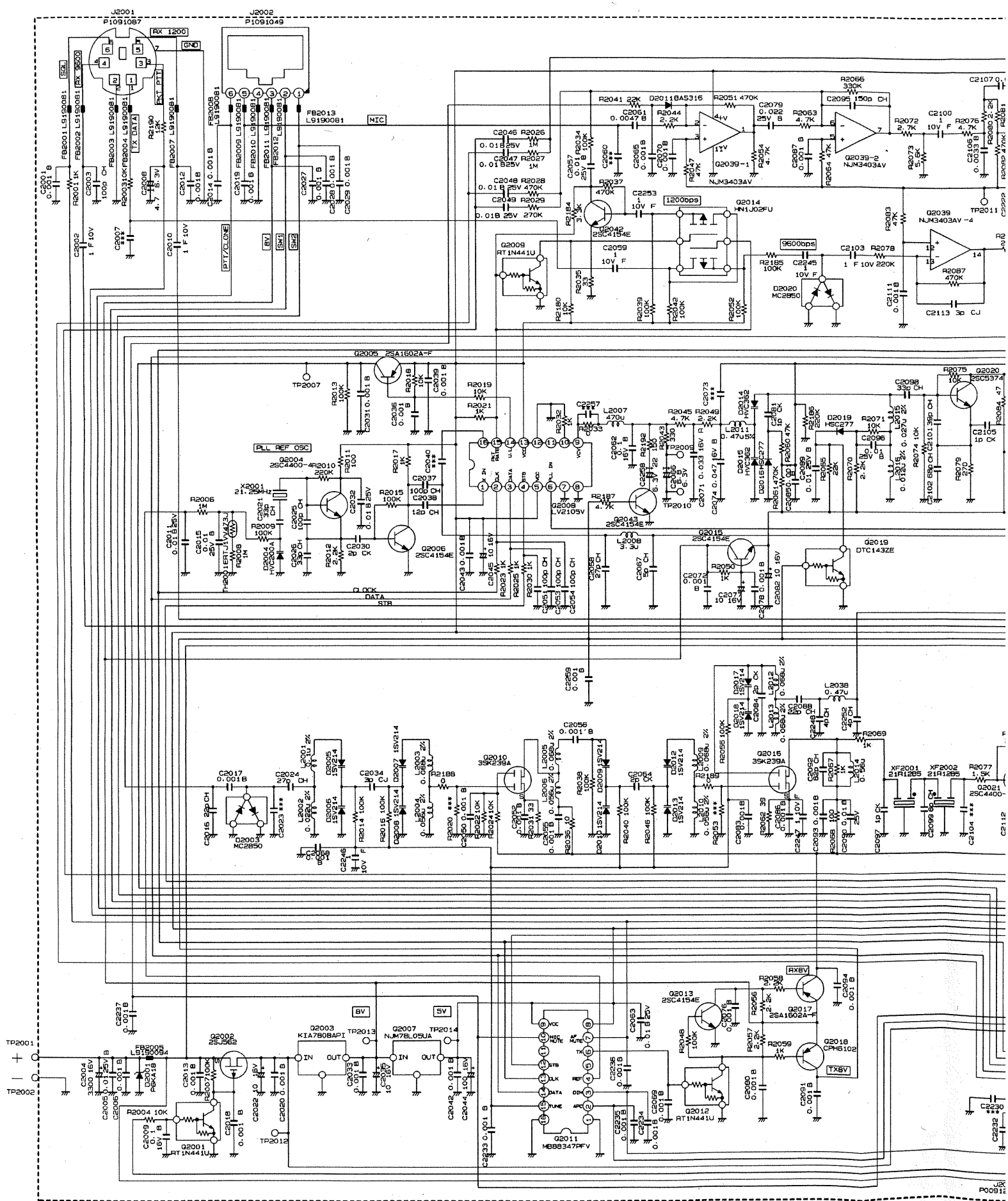
MAIN-UNIT

VCO-UNIT

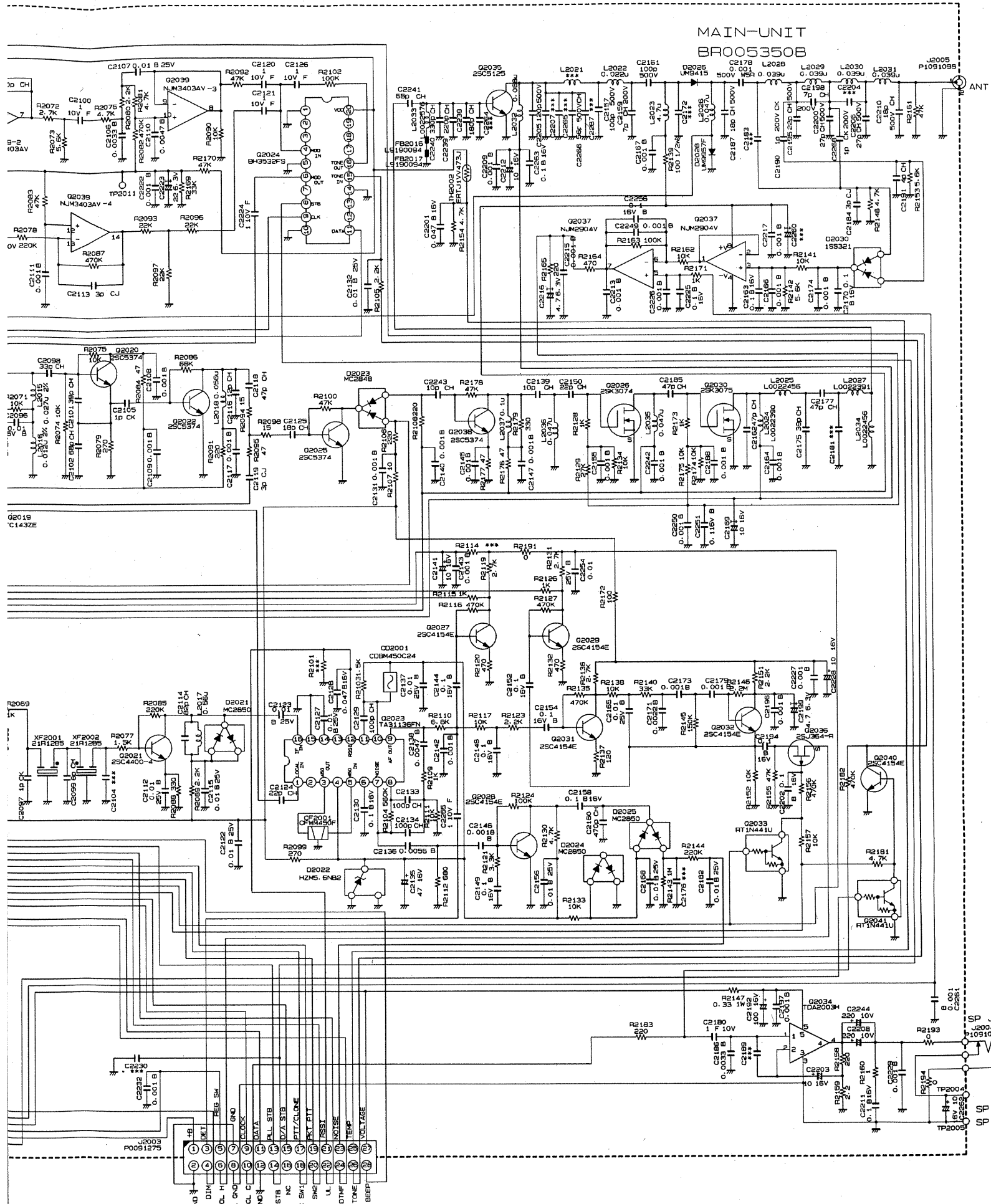
CNTL-UNIT

DC 13.8V

RX LINE  
TX LINE  
CNTL LINE



MAIN-UNIT  
BRO05350B



- 16 GND
- 15 DIM
- 14 DET
- 13 REG SW
- 12 GND
- 11 VOL HI
- 10 VOL LO
- 9 DATA
- 8 ALL STB
- 7 DZA STB
- 6 PIT/CLONE
- 5 EXT PTT
- 4 TRESI
- 3 UL
- 2 NOISE
- 1 TONE
- TEMP
- BEEP

- 10 GND
- 9 TP2004
- 8 TP2005
- 7 TP2006
- 6 TP2007
- 5 TP2008
- 4 TP2009
- 3 TP2010
- 2 TP2011
- 1 TP2012